

# BINKS STEADI-GRIP "SG-2™"

## 2 QT. PRESSURE CUPS

**MODEL NO. 80-350 (STANDARD) (OBSOLETE)**  
**MODEL NO. 80-351• (WITH AGITATOR) (OBSOLETE)**

### INTRODUCTION

Binks Steadi-Grip "SG-2" Pressure Cup is ideal for component spraying and industrial applications where small batch production spraying is required. The 2 qt. capacity is sufficient to complete large spray jobs without refilling the cup. Its lightweight and rugged construction is excellent for portability allowing the operator to make fluid and air control adjustments quickly and efficiently at the spray station.

The internal construction is designed for waterborne and solvent base materials.

Other features include:

- Stainless steel pick-up tube, fluid fittings and removable plastic liner makes it corrosion resistant.
- "Wide-mouth" opening allows easy cleaning, plastic liner removal and quick color change.
- Positive grip carrying handle for operator comfort.
- Wide stainless steel base for stability and corrosion resistance.
- 0-15 psig fluid pressure range.
- Optional 0-40 psig pressure kit available for high viscosity fluids.
- Fluid agitator on model 80-351 for metallics and paints requiring continuous agitation

### SPECIFICATIONS

MAX. WORKING PRESSURE . . . . .	50 psig	3.5 KG/cm <sup>2</sup>
OVERALL HEIGHT		
WITH AUXILIARY HANDLE . . . . .	16 9/16 in.	42.06 cm
WITHOUT AUXILIARY HANDLE . . . . .	11 3/4 in.	29.85 cm
BASE DIAMETER . . . . .	6 in.	15.24 cm
DIA. ACROSS CLOSED CLAMPS. . . . .	8 1/16 in.	20.47 cm
DIA. ACROSS OPEN CLAMPS . . . . .	8 1/16 in.	20.47 cm
AIR INLET & OUTLET CONNECTION SIZE . .	1/4 NPS (m)	--
FLUID OUTLET CONNECTION SIZE . . . . .	3/8 NPS (m)	--
FLUID CAPACITY . . . . .	2 Qts. (U.S.)	1.9 Liters
WEIGHT		
STANDARD UNIT . . . . .	4 lb.13oz.	2.18 kg.
UNIT WITH AGITATOR . . . . .	5 lb.6oz.	2.44 kg.

**⚠ WARNING**

**All air and fluid pressure in the system must be relieved before servicing the cup and before cup is filled or cleaned. Attempting to service the cup while pressurized could result in damage to components or personal injury.**

**CA PROP**  
**65**

**PROP 65 WARNING**  
WARNING: This product contains chemicals known to the State of California to cause cancer and birth defects or other reproductive harm.



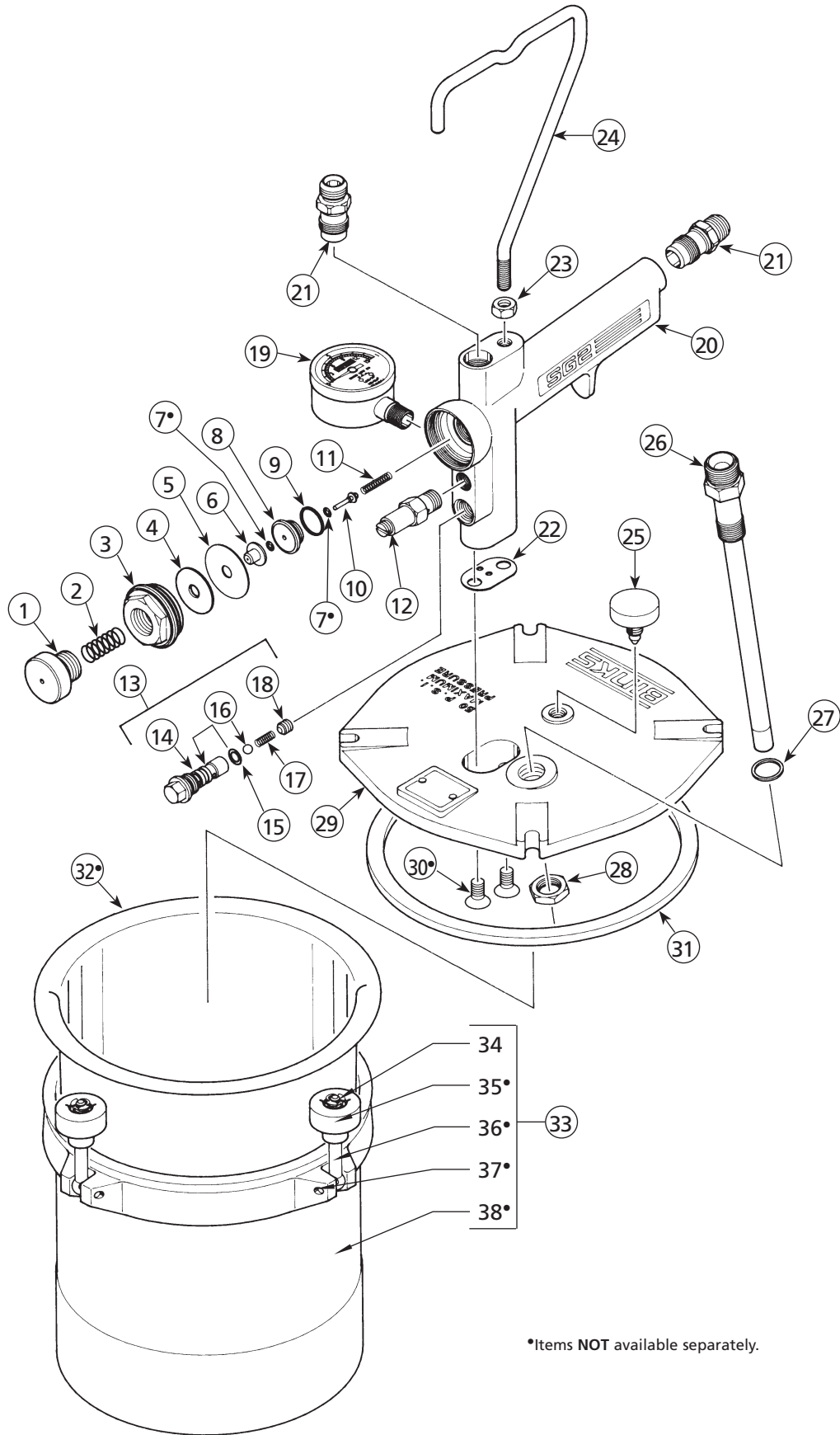
**MODEL NO. 80-350 (Standard)**



**MODEL NO. 80-351\* (with Agitator)**

\*Available from Industrial Finishing distributors only.

MODEL 80-350 PRESSURE CUP (Standard) (OBSOLETE)



\*Items NOT available separately.

## MODEL 80-350 PRESSURE CUP (Standard) (OBSOLETE)

### PARTS LIST

(When ordering, please specify Part No.)

ITEM NO.	PART NO.	DESCRIPTION	QTY.	ITEM NO.	PART NO.	DESCRIPTION	QTY.
1	85-46	SPRING CAP .....	1	25	80-372	VENT KNOB .....	1
2	85-257▲	SPRING .....	1	26	80-385	FLUID TUBE ASSEMBLY .....	1
3	85-184	CAP .....	1	27	80-388▲	FLUID TUBE SEAL.....	1
4	85-267▲	WASHER.....	1	28	80-389★	FLUID TUBE NUT.....	1
5	85-183-5▲○	DIAPHRAGM .....	1	29	80-370	CANISTER LID Standard.....	1
6	85-262	DIAPHRAGM RETAINER .....	1	30	20-6582●	SCREW 1/4-20 X 5/8 Flat Head Socket .....	2
7	20-6683▲●	O-RING 2-003 EPR .....	2	31	80-392 ▲	LID GASKET (E.P.D.M.) .....	1
8	85-181	SEAT .....	1	32	80-355○	DISPOSABLE CAN LINER See 80-356 below .....	1
9	85-266▲	SEAL .....	1	33	80-375	2 QT. CANISTER ASSEMBLY..	1
10	85-259	VALVE.....	1	34	80-382■†	RETAINER RING.....	4
11	54-1637▲	SPRING .....	1	35	80-380■●†	KNOB.....	4
12	85-84▲	POP VALVE (Set at 15 psig) .....	1	36	80-381■●†	SWIVEL.....	4
13	80-360▲	CHECK VALVE ASSEMBLY.....	1	37	20-4870■●†	PIN.....	4
14	80-361★	CHECK VALVE BODY .....	1	38	†	CANISTER.....	1
15	20-3619★	O-RING .....	1				
16	20-2183★	BALL 3/16 Dia.....	1				
17	80-362★	CHECK VALVE SPRING .....	1				
18	20-6161★	SET SCREW 1/4-28 X 1/4 Headless Hex .....	1				
19	GA-313	GAUGE (0-15 psig) .....	1				
20	80-365	STEADI-GRIP HANDLE .....	1				
21	54-768	AIR CONNECTION 1/4 NPS (m) .	2				
22	80-373▲★	HANDLE GASKET.....	1				
23	80-367★	AUXILIARY HANDLE NUT ....	1				
24	80-364	AUXILIARY HANDLE.....	1				

▲ Includes 80-353 Repair Kit.

○ Available only as a quantity pack.

● Items **NOT** available separately.

■ Indicates parts are included in Spare Parts Kit No. 80-390★ (1 each).

† Indicates parts are included in 80-375 Assembly (33).

★ Available from Industrial Finishing distributors only.

### NOTE

To convert to High Pressure Kit (0-40 psig), see page 8.

### ACCESSORIES

(Not furnished. Please order separately)

PART NO.	DESCRIPTION	QTY.
80-356	CANISTER LINER QUANTITY PACK .....	12/pk.
80-404★	AGITATOR CUP CONVERSION KIT .....	1
73-125	AIR CONTROLLER (for atomizing air) .....	1
80-352	HIGH FLUID PRESSURE CONVERSION KIT (0-40psig) .....	1
80-353	PRESSURE CUP REPAIR KIT .....	1
80-390★	KNOB REPLACEMENT KIT.....	1

★ Available from Industrial Finishing distributors only.

● Item **NOT** available separately.

○ Available only as a quantity pack.

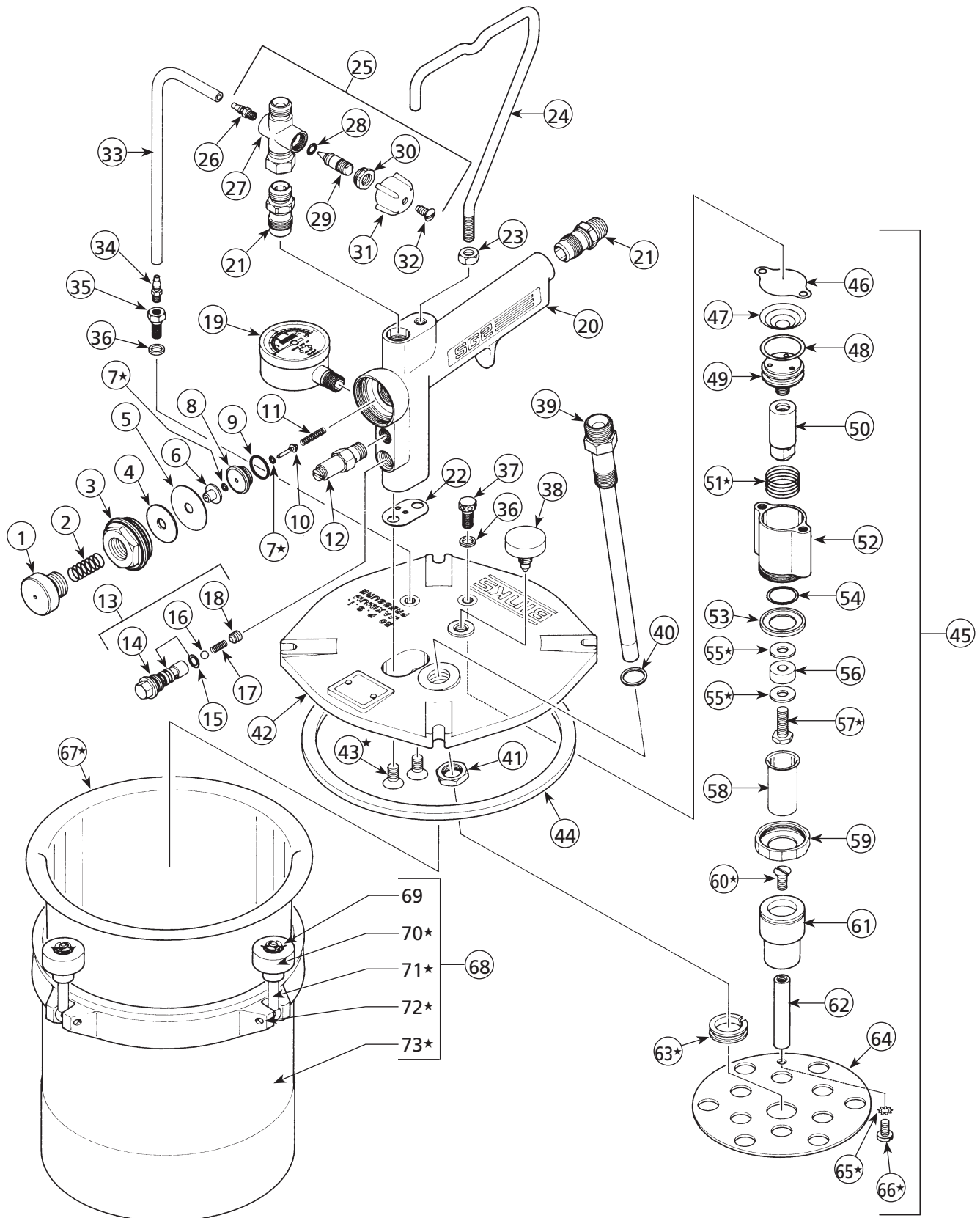
### 80-353 PRESSURE CUP REPAIR KIT

(Models 80-350, 80-351

Steady-Grip SG-2™ Pressure Cups)

PART NO.	DESCRIPTION	QTY.
85-257★	SPRING.....	1
85-183-5○	DIAPHRAGM .....	1
20-6683●	O-RING 2-003 EPR .....	2
85-266★	SEAL.....	1
54-1637★	SPRING.....	1
85-84	POP VALVE 15psi .....	1
80-360	CHECK VALVE ASSEMBLY .....	1
80-373★	HANDLE GASKET .....	1
80-388	FLUID TUBE SEAL.....	1
80-392	LID GASKET (E.P.D.M.) .....	1

### Model 80-351 PRESSURE CUP WITH AGITATOR<sup>^</sup> (OBSOLETE)



★Items NOT available separately.

**Model 80-351 PRESSURE CUP WITH AGITATOR<sup>▲</sup> (OBSOLETE)**

**PARTS LIST**

(When ordering, please specify Part No.)

ITEM NO.	PART NO.	DESCRIPTION	QTY.	ITEM NO.	PART NO.	DESCRIPTION	QTY.
1	85-46	SPRING CAP	1	40	80-388▼	FLUID TUBE SEAL.....	1
2	85-257▼	SPRING .....	1	41	80-389	FLUID TUBE NUT.....	1
3	85-184	CAP .....	1	42	80-369	CANISTER LID Agitator.....	1
4	85-267▼	WASHER .....	1	43	20-6582★	SCREW 1/4-20 x 5/8" Flat Hd.Socket.....	2
5	85-183-5▼○	DIAPHRAGM.....	1	44	80-392▼	LID GASKET (E.P.D.M.) .....	1
6	85-262	DIAPHRAGM RETAINER .....	1	45	80-405	STEADI-GRIP AGITATOR ASSEMBLY .	1
7	20-6683▼★	O-RING 2-003 EPR.....	2	46	82-727●	CYLINDER GASKET .....	1
8	85-181	SEAT .....	1	47	82-720●	CONICAL SPRING .....	1
9	85-266▼	SEAL.....	1	48	20-5845●	O-RING .....	1
10	85-259	VALVE .....	1	49	82-714●	PISTON ASSEMBLY.....	1
11	54-1637▼	SPRING .....	1	50	82-779	PISTON ROD.....	1
12	85-84▼	POP VALVE (Set at 15 psig).....	1	51	82-721●★	COMPRESSION SPRING.....	1
13	80-360▼	CHECK VALVE ASSEMBLY .....	1	52	82-711	CYLINDER ASSEMBLY .....	1
14	80-361	CHECK VALVE BODY.....	1	53	20-3753●	O-RING .....	1
15	20-3619	O-RING.....	1	54	82-776●	CAN SEAL.....	1
16	20-2183	BALL, 3/16 Dia.....	1	55	82-777★	INNER RING.....	2
17	80-362	CHECK VALVE SPRING.....	1	56	82-753	INNER MAGNET .....	1
18	20-6161	SET SCREW 1/4-28 x 1/4" Headless Hex .....	1	57	20-6022★	SCREW 1/4-28 x 3/4" Hex Hd. ....	1
19	GA-313	GAUGE (0-15 psig).....	1	58	82-775●	CAN .....	1
20	80-365	STEADI-GRIP HANDLE.....	1	59	82-778	CAN RETAINER.....	1
21	54-768	AIR CONNECTION.....	2	60	20-6023★	SCREW 12-24 X 1/2"Flat Hd. ....	1
22	80-373▼	HANDLE GASKET.....	1	61	82-770	OUTER MAGNET ASSEMBLY .....	1
23	80-367	AUXILIARY HANDLE NUT .....	1	62	80-406	STEADI-GRIP AGITATOR POST.....	1
24	80-364	AUXILIARY HANDLE .....	1	63	20-6583●★	GROMMET .....	1
25	82-740	AIR CONTROL VALVE ASSEMBLY ..	1	64	80-407	STEADI-GRIP AGITATOR PLATE ...	1
26	81-307 ◆	BARBED CONNECTOR.....	1	65	20-2530★	#10 EXTERNAL STAR WASHER....	1
27	82-745 ◆	VALVE BODY ASSEMBLY.....	1	66	20-5832★	SCREW 10-32 X 3/8" Pan Hd.....	1
28	20-3236 ◆●	O-RING.....	1	67	80-355○★	DISPOSABLE CAN LINER See 80-356 below.....	1
29	82-747 ◆	STEM.....	1	68	80-375	2 QT. CANISTER ASSEMBLY .....	1
30	73-44 ◆	NUT .....	1	69	80-382■†	RETAINER RING.....	4
31	73-46 ◆	CAP .....	1	70	80-380■★†	KNOB.....	4
32	20-2606 ◆	SCREW 8-32 x 3/8" Oval Hd. ....	1	71	80-381■★†	SWIVEL .....	4
33	54-3929	TUBE 6-1/2" Nylon .....	1	72	20-4870■★†	PIN .....	4
34	81-307	BARBED CONNECTOR.....	1	73	†	CANISTER .....	1
35	82-728	INLET FITTING.....	1				
36	82-730●	GASKET.....	2				
37	82-729	EXHAUST FITTING .....	1				
38	80-372	VENT KNOB .....	1				
39	80-385	FLUID TUBE ASSEMBLY.....	1				

▼ Part of 80-353 Pressure Cup Repair Kit.  
 ◆ Part of Air Control Valve Assembly, Item 25.  
 † Indicates parts are included in 80-375 Assembly, Item #68.  
 ■ Indicates parts are included in Spare Parts Kit No. 80-390 (1 each).  
 ★ Items NOT available separately. ○ Available only as quantity pack.

**ACCESSORIES**

(Not furnished. Please order separately.)

PART NO.	DESCRIPTION	QTY.
80-356	CANNISTER LINER QUANTITY PACK.....	12/pk.
80-404▲	AGITATOR CUP CONVERSION KIT .....	1
73-125	AIR CONTROLLER (For atomizing air).....	1
80-352▲	HIGH FLUID PRESSURE CONVERSION KIT (0-40 psig).....	1
80-353▲	PRESSURE CUP REPAIR KIT.....	1
80-354▲	AGITATOR REPAIR KIT.....	1
80-390▲	KNOB REPLACEMENT KIT .....	1

## SETUP AND OPERATION

Refer to "TYPICAL INSTALLATION" drawing below

Set up the Steadi-Grip "SG2" with the CONVENTIONAL or HVLP gun along with at least 5 ft. of air and fluid hose.

Attach air hose from extractor to air inlet on handle of steady-grip assembly. Pour paint into canister with liner. Re-attach lid to canister and firmly tighten four knobs over canister lid. Set air pressure from air regulator mounted on extractor and fluid pressure by adjusting fluid pressure adjustment knob on cup handle.

### ⚠ WARNING

Chlorinated solvents and aluminum are incompatible and will cause an adverse chemical reaction, possibly resulting in bodily injury. Under **NO** circumstances should chlorinated solvents be used with the "SG2" pressure cup with agitator (80-351). With the standard "SG2" pressure cup, use chlorinated solvents only when using plastic liner (80-355).

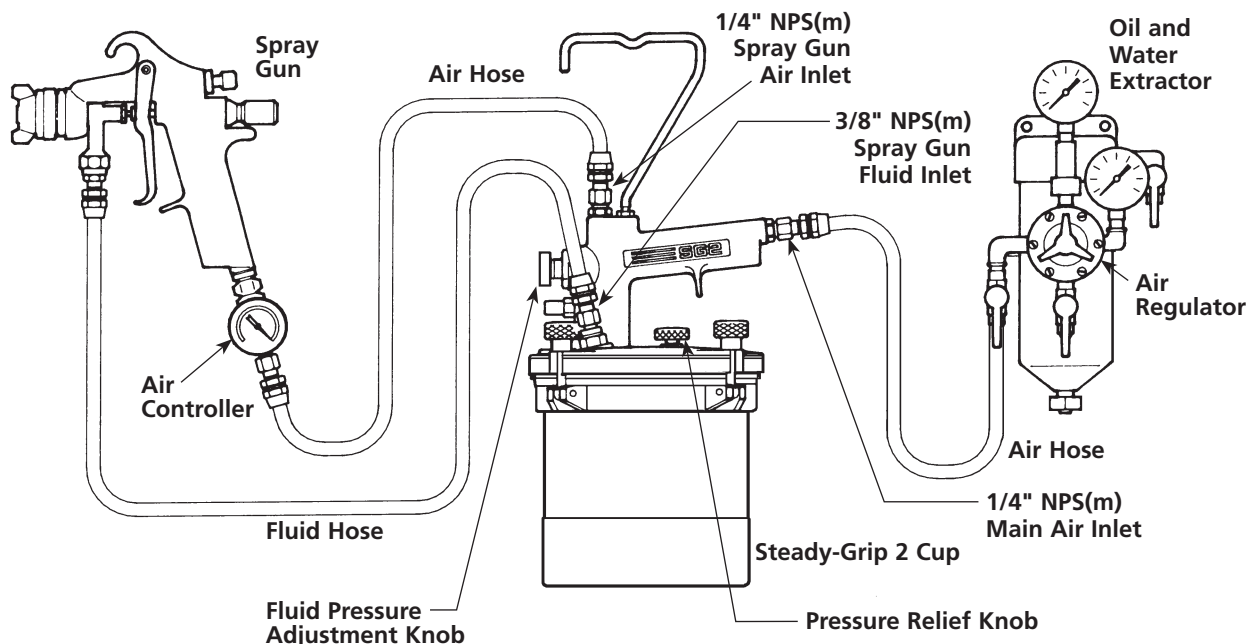
### ⚠ CAUTION

Do not exceed 100 PSIG input air pressure into the cup. Excessive pressure could damage components.

### NOTE

Before refilling canister with paint, shut off air supply to the cup and release pressure from canister by rotating pressure relief knob counterclockwise.

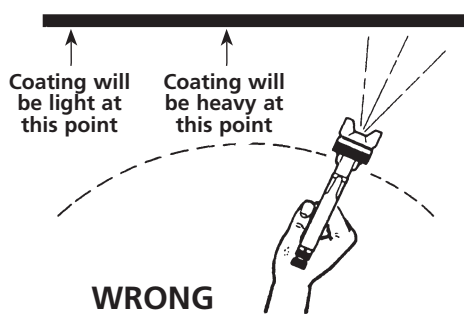
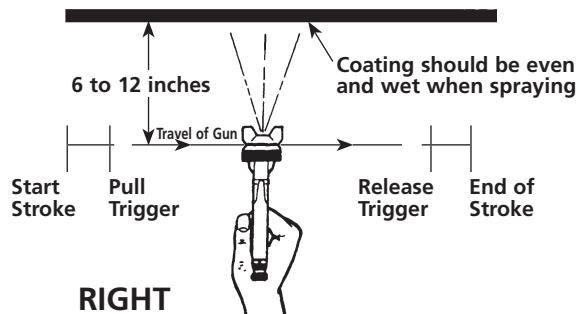
## TYPICAL INSTALLATION



## SPRAY TECHNIQUE

The first requirement for a good resultant finish is the proper handling of the gun. The gun should be held perpendicular to the surface being covered and moved parallel with it. The stroke should be started before the trigger is pulled, and the trigger should be released before the stroke is ended.

This gives accurate control of the gun and material. The distance between the gun and surface should be 6 to 10 inches depending on material and atomizing pressure. The material deposited should always be even and wet. Lap each stroke over the preceding stroke to obtain a uniform finish.





## MODEL 80-352 HIGH PRESSURE RETRO-FIT CONVERSION KIT

### CONVERSION INSTRUCTIONS

Before converting to high pressure kit, depressurize and shut off the entire system before installing the conversion kit. Keep the cup lid in fully clamped position.

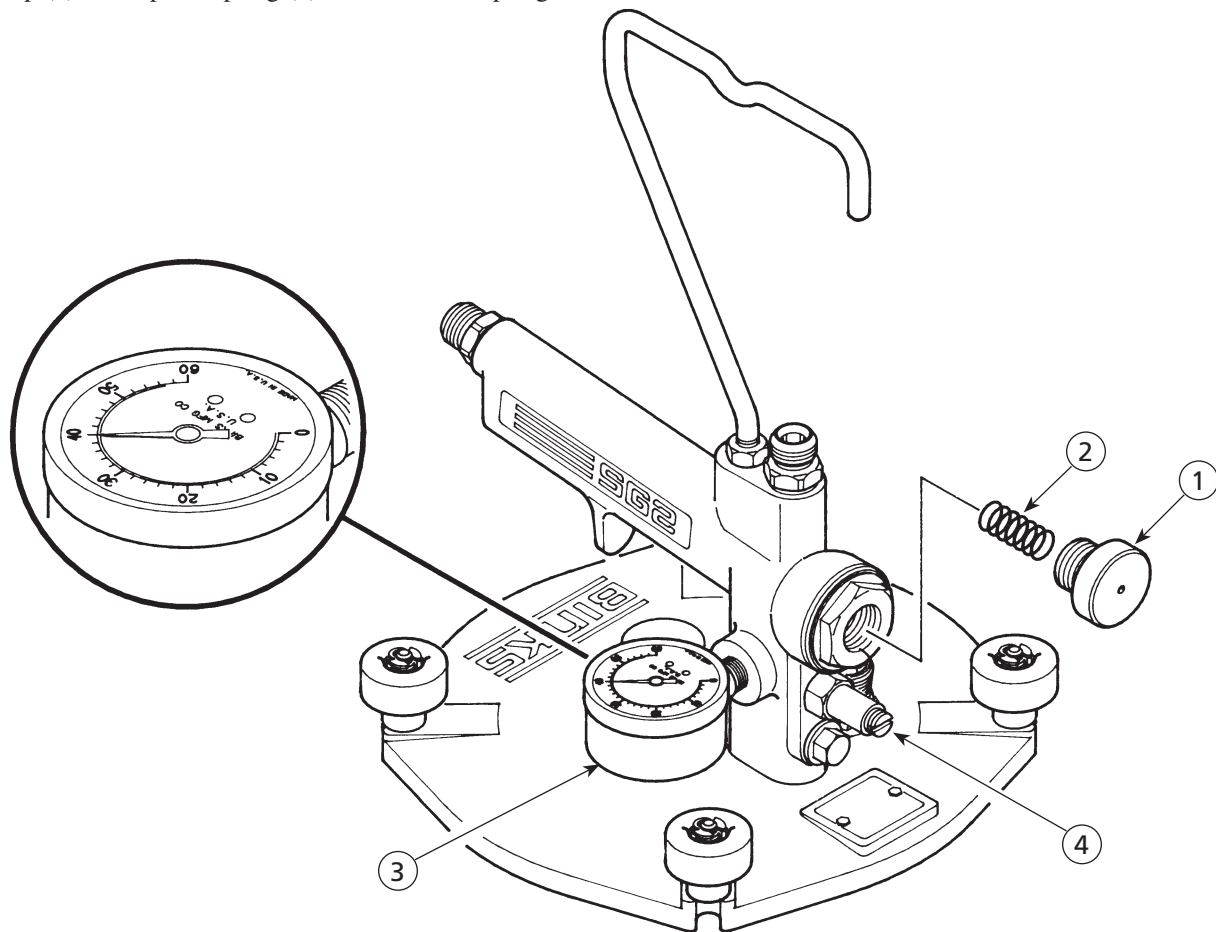
#### **⚠ WARNING**

**Attempting to install the conversion kit while the system is pressurized could result in damage to components or bodily injury.**

To convert to high pressure (0-40 psig) remove spring cap (1) and replace spring (2) with an 85-80 spring.

Then, replace the standard GA-313 gauge (0-15 psig) with an 85-70 (0-60 psig) gauge (3).

Pressurize the cup slowly with air by turning spring cap (1) clockwise. With the spring cap screwed all the way in, adjust the pop valve by turning the pop valve adjustment screw (4) clockwise until the pop valve releases air at 40 psi gauge pressure as shown in the illustration below. All items to convert to high pressure are provided in 80-352 kit.



---

## WARRANTY POLICY

Binks products are covered by Carlisle Fluid Technologies one year materials and workmanship limited warranty. The use of any parts or accessories, from a source other than Carlisle Fluid Technologies, will void all warranties. For specific warranty information please contact the closest Carlisle Fluid Technologies location listed below.

Carlisle Fluid Technologies reserves the right to modify equipment specifications without prior notice. DeVilbiss®, Ransburg®, ms®, BGK®, and Binks® are registered trademarks of Carlisle Fluid Technologies, Inc.

©2017 Carlisle Fluid Technologies, Inc.  
All rights reserved.

---

Binks is part of Carlisle Fluid Technologies, a global leader in innovative finishing technologies. For technical assistance or to locate an authorized distributor, contact one of our international sales and customer support locations.

**USA/Canada**

info@carlisleleft.com  
Tel: 1-888-992-4657  
Fax: 1-888-246-5732

**Mexico**

ventas@carlisleleft.com.mx  
Tel: +52 55 5321 2300  
Fax: +52 55 5310 4790

**Germany**

info@carlisleleft.eu  
Tel: +49 (0) 6074 403 1  
Fax: +49 (0) 6074 403 281

**United Kingdom**

info@carlisleleft.eu  
Tel: +44 (0)1202 571 111  
Fax: +44 (0)1202 573 488

**Japan**

overseas-sales@carlisleleft.co.jp  
Tel: +81 45 785 6421  
Fax: +81 45 785 6517

**Australia**

sales@carlisleleft.com.au  
Tel: +61 (0) 2 8525 7555  
Fax: +61 (0) 2 8525 7575

**China**

mkt@carlisleleft.com.cn  
Tel: +8621-3373 0108  
Fax: +8621-3373 0308

**Brazil**

vendas@carlisleleft.com.br  
Tel: +55 11 5641 2776  
Fax: +55 11 5641 1256

For the latest information about our products, visit [www.carlisleleft.com](http://www.carlisleleft.com).