

# OPERATOR'S MANUAL

INCLUDING: OPERATION, INSTALLATION & MAINTENANCE

# 84100X

RELEASED: 10-4-99  
REVISED: 1-22-14  
(REV. F)

## MATERIAL FILTER MAXIMUM INLET PRESSURE 6,000 P.S.I. (414 BAR)



**READ THIS MANUAL CAREFULLY BEFORE INSTALLING,  
OPERATING OR SERVICING THIS EQUIPMENT.**

It is the responsibility of the employer to place this information in the hands of the operator. Keep for future reference.

### SERVICE KITS

Use only genuine Binks replacement parts to assure compatible pressure rating and longest service life,

### MATERIAL FILTER DATA

MODELS .....	84100X
MATERIAL (models 841001 and 841002)	Carbon steel
(models 841005 and 841006)	Stainless Steel
MAXIMUM FLUID PRESSURE .....	6,000 p.s.i.g. (414 bar)

### OPERATING & SAFETY PRECAUTIONS

- ◇ Read and heed all Warnings, Cautions and Safety Precautions before operating this pump.
- ◇ Use only genuine Binks replacement parts to assure compatible pressure rating and longest service life.

**⚠ WARNING** HAZARDOUS PRESSURE. Can result in serious injury or property damage. Do not service or clean pump, hoses or dispensing valve while the system is pressurized.

**⚠ CAUTION** Be certain all operators of this equipment have been trained for safe working practices, understand it's limitations, and wear safety goggles / equipment when required.

**⚠ WARNING** DO NOT EXCEED MAXIMUM INLET AIR PRESSURE AS STATED ON AIR MOTOR MODEL PLATE. OPERATING PUMP AT HIGHER PRESSURE MAY CAUSE PUMP DAMAGE.

**⚠ WARNING** HAZARDOUS MATERIALS. Can cause serious injury or property damage. Do not attempt to return a pump to the factory or service center that contains hazardous material. Safe handling practices must comply with local and national laws and safety code requirements. Obtain Material Safety Data Sheets on all materials from the supplier for proper handling instructions.

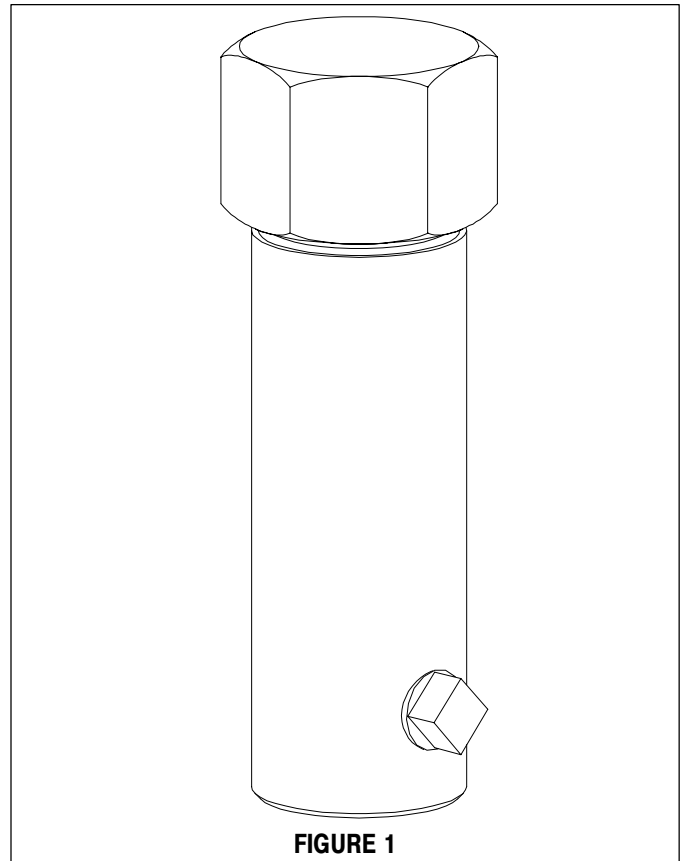


FIGURE 1

### MODEL DESCRIPTION CHART

<b>84100 X</b>	
<b>BODY MATERIAL / SCREEN MESH SIZE</b>	
1 - Carbon Steel / 70 Mesh	
2 - Carbon Steel / 100 Mesh	
5 - Stainless Steel / 70 Mesh	
6 - Stainless Steel / 100 Mesh	

### GENERAL DESCRIPTION

The Binks Material Filter is used to separate foreign materials like dirt, stones and sweeping compound, from the material handling section. Material filters and strainers can be installed in a system to combat this

problem, thereby achieving longer service life. At this point, where the fluid enters the material handling section, the strainer prevents foreign material from entering the system.

CCN 99866717



**U.S.A. / Canada Customer Service**  
195 Internationale Blvd  
Glendale Heights, IL 60139  
**Tel. 630-237-5000**  
**Fax. 630-237-5011**

**Toll Free Customer Service  
and Technical Support**  
800-992-4657  
**Toll Free Fax**  
888-246-5732

## TYPICAL SYSTEM VIEW

1. Install material filter either at the inlet of material handling section or upstream from the other accessories (control handle, etc.).
2. Refer to typical installation (see figure 2).
3. The filter unit was tested at the factory with a maximum working pressure of 6,000 p.s.i. (414 bar).
4. Two 1/2 - 14 N.P.T. pipe plugs (item 8) are included with this unit to plug an inlet and an outlet port not being used.

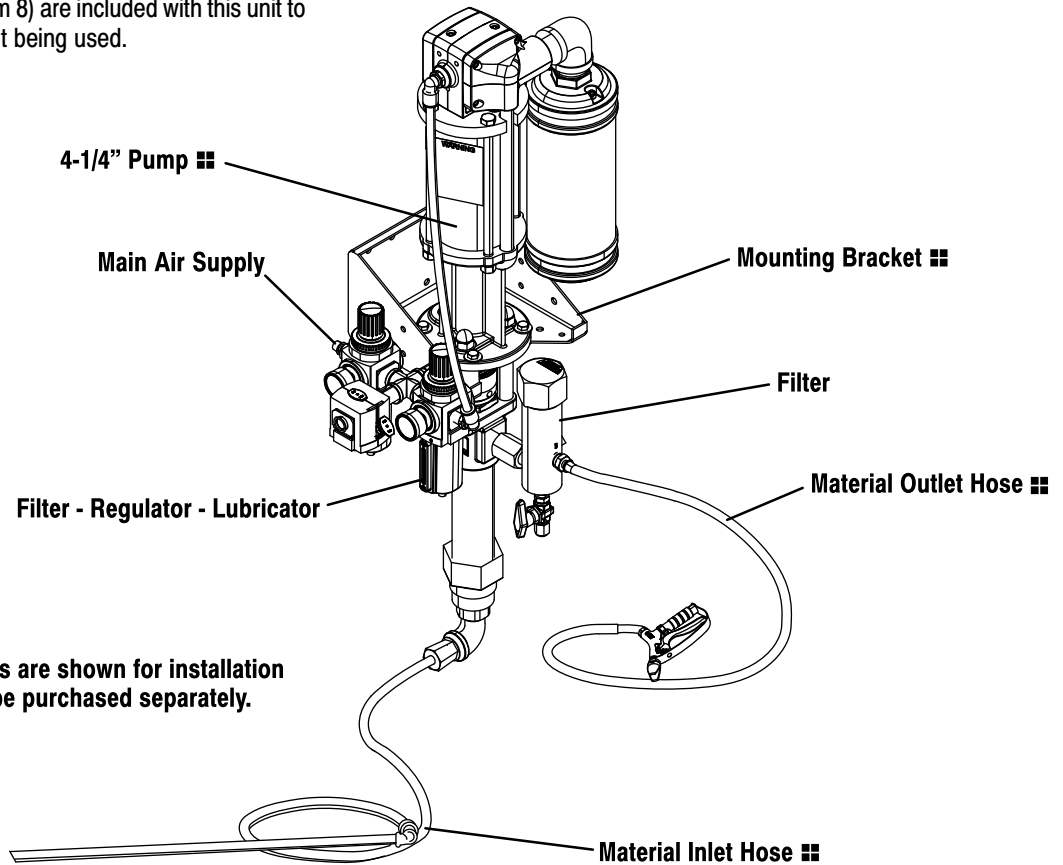


FIGURE 2

## DISASSEMBLY

- ⚠ WARNING HAZARDOUS PRESSURE.** Can result in serious injury or property damage. Do not service or clean pump, hoses or dispensing valve while the system is pressurized.
- Disconnect air supply line and relieve pressure from the system by opening dispensing valve or device and / or carefully and slowly loosening and removing outlet hose or piping from pump.

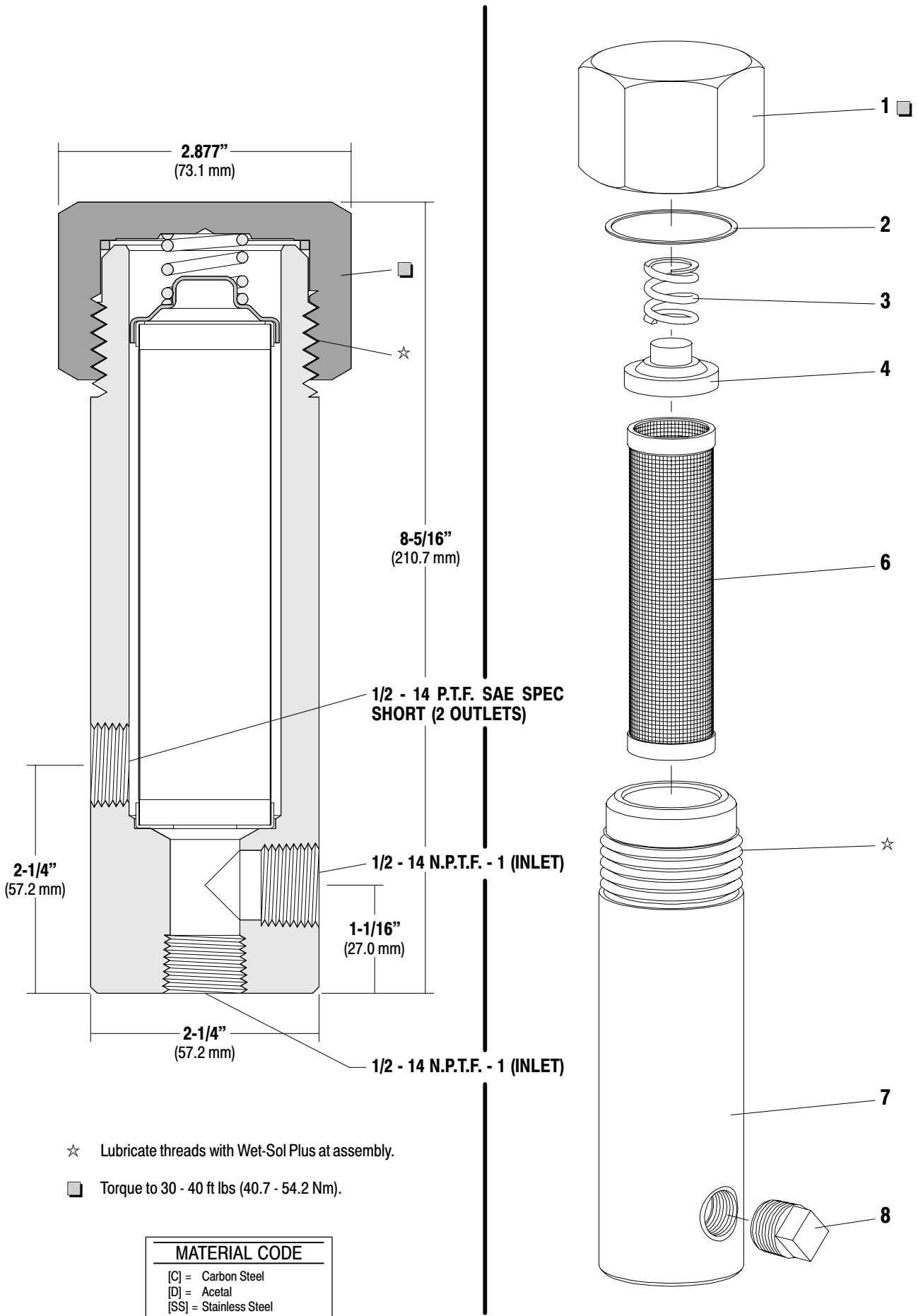
1. Unscrew and remove (1) cap from the (7) body.
  2. Remove (2) gasket from (1) cap.
  3. Remove (3) spring and (4) guide button from the (7) body.
  4. Pull the (6) screen assembly from the (7) body.
- Replace worn seals and parts with new parts. Reverse disassembly instructions for reassembly.

## PARTS LIST

ITEM	DESCRIPTION (Size in Inches)	QTY	PART NO.	[MTL]
1	Cap (models 841001 and 841002)	(1)		[C]
	(models 841005 and 841006)	(1)		[SS]
2	Gasket	(1)	873145	[D]
3	Spring	(1)	873314	[SS]
4	Guide Button	(1)		[SS]
6	Screen Assembly			
	(models 841001 and 841005)(70 mesh)	(1)	873146	[SS]
	(models 841002 and 841006)(100 mesh)	(1)	873147	[SS]
	(200 mesh)	(1)	873424	[SS]

ITEM	DESCRIPTION (Size In Inches)	QTY	PART NO.	[MTL]
7	Body (models 841001 and 841002)	(1)		[C]
	(models 841005 and 841006)	(1)		[SS]
8	Pipe Plug (1/2 - 14 N.P.T.)			
	(models 841001 and 841002)	(2)		[C]
	(models 841005 and 841006)	(2)		[SS]

# PARTS LIST



**FIGURE 3**

