



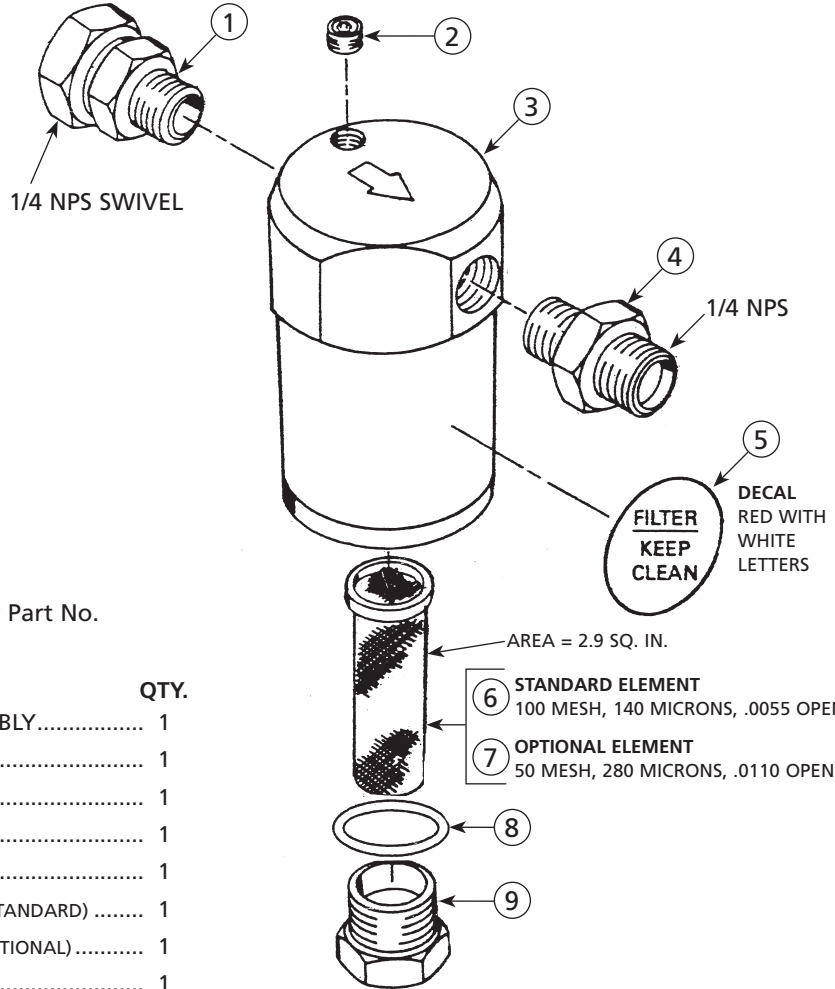
Binks Model 103-1241 STAINLESS STEEL INLINE FLUID STRAINER

WITH 100 MESH ELEMENT (50 MESH ELEMENT OPTIONAL)

Binks' Inline Fluid Strainer features stainless steel construction throughout. Solvent immersion for cleaning is acceptable.

NOTE
Periodic cleaning of the filter is important, and frequency must be based on fluid quality and quantity of fluid strained. Experience will indicate a required cleaning schedule which should be adhered to.

NOTE
PTFE tape should be used on all threads to help seal and prevent galling in caustic fluids.



PARTS LIST

When ordering, please specify Part No.

ITEM NO.	PART NO.	DESCRIPTION	QTY.
1	101-9120	CONNECTION ASSEMBLY.....	1
2	20-5051	PLUG.....	1
3	103-1239	BODY.....	1
4	72-790	NIPPLE.....	1
5	41-2603	DECAL.....	1
6	83-1256	ELEMENT, 100 MESH (STANDARD).....	1
7	83-2089	ELEMENT, 50 MESH (OPTIONAL).....	1
8	20-6706	O-RING, EPR.....	1
9	83-2256	PLUG.....	1



PROP 65 WARNING
WARNING: This product contains chemicals known to the State of California to cause cancer and birth defects or other reproductive harm.

WARRANTY

This product is covered by Binks' 1 Year Limited Warranty.

Binks Sales and Service: www.binks.com



U.S.A./Canada Customer Service
195 Internationale Blvd.
Glendale Heights, IL 60139
630-237-5000

Toll Free Customer Service
and Technical Support
800-992-4657

Toll Free Fax
888-246-5732

77-2015R-5 Revisions: PTFE reference update, added Prop 65, updated contact information.

Replaces
Part Sheet
77-2015R-4

Part
Sheet
77-2015R-5